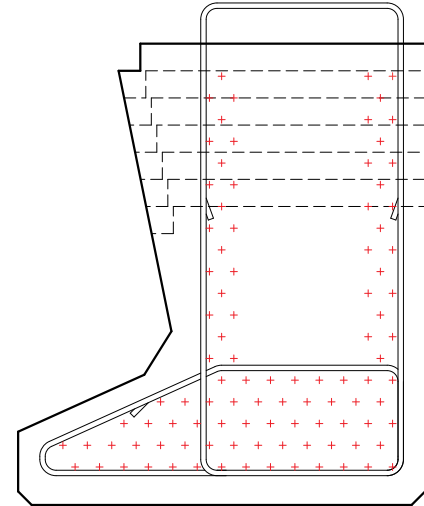
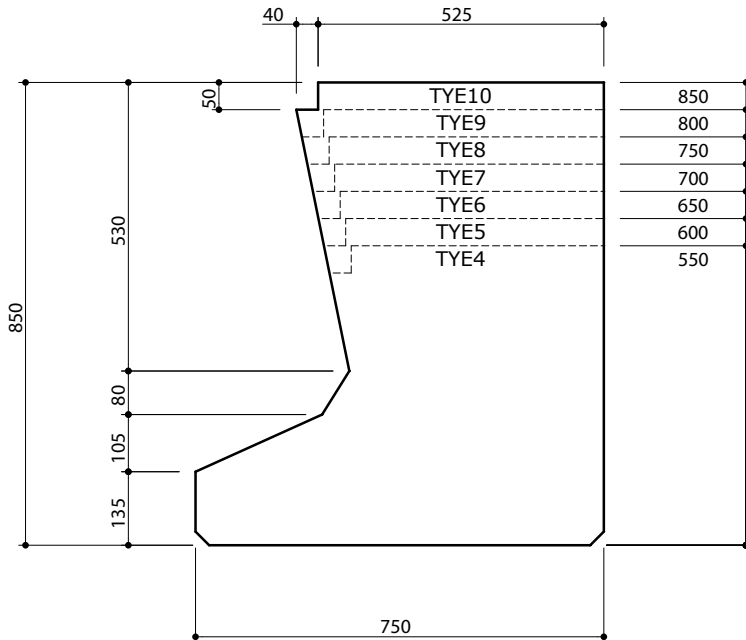


## STANDARD TYE BRIDGE BEAMS

Pre-stressed bridge edge beams for use in beam and slab deck construction.



Strand locations

Beam type	Height [mm]	Area [mm <sup>2</sup> ]	$Y_b$ [mm]	$I_x$ [mm <sup>4</sup> ]	$Z_t$ [mm <sup>3</sup> ]	$Z_b$ [mm <sup>3</sup> ]	Self weight [kN/m]
TYE4	550	317205	246.61	$81.54 \times 10^8$	$26.88 \times 10^6$	$33.06 \times 10^6$	7.93
TYE5	600	343166	271.13	$106.85 \times 10^8$	$32.49 \times 10^6$	$39.41 \times 10^6$	8.58
TYE6	650	369634	296.17	$137.01 \times 10^8$	$38.72 \times 10^6$	$46.26 \times 10^6$	9.24
TYE7	700	396610	321.66	$172.42 \times 10^8$	$45.57 \times 10^6$	$53.60 \times 10^6$	9.92
TYE8	750	424092	347.53	$213.51 \times 10^8$	$53.05 \times 10^6$	$61.43 \times 10^6$	10.60
TYE9	800	452081	373.76	$260.71 \times 10^8$	$61.16 \times 10^6$	$69.75 \times 10^6$	11.30
TYE10	850	480578	400.28	$314.49 \times 10^8$	$69.93 \times 10^6$	$78.57 \times 10^6$	12.01

Beam type	Typical range of span [m]										
	8	9	10	11	12	13	14	15	16	17	
TYE4											
TYE5											
TYE6											
TYE7											
TYE8											
TYE9											
TYE10											